

Digital Compression Load Cell - Type DL



Special Features

- Robust capacitive technology
- High tolerance of up to 1.000% overload
- Stainless steel
- Hermetically sealed to IP68
- Laser welded
- ATEX version available (Zone 1, 2, 21, 22)
- Low profile and hygienic design
- High Accuracy, High resolution
- Withstands welding voltages and ESD
- Cable length up to 100meters
- Load cell cable replaceable
- Calibration independent of cable length
- Easy mechanical and electrical installation
- Can be used in both ATEX and non-ATEX installations



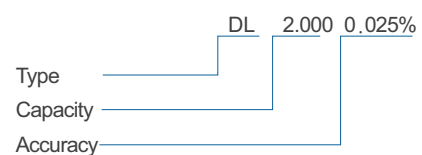
Applications

- Tank weighing
- Process weighing
- Big-bag equipment
- Filling and dosing
- Offshore
- Level measurement
- Platform scales
- Hopper scales
- Heavy duty applications
- Belt scales

Options

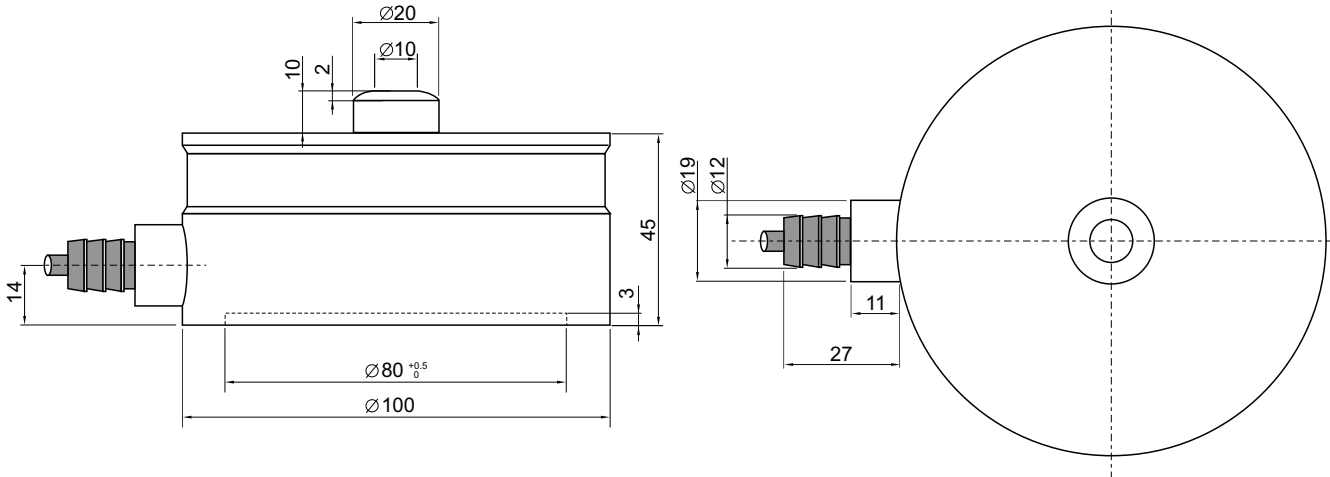
- ATEX (Zone 1, 2, 21, 22) version type DLA
- ATEX II 2G Ex ia IIC T6 / ATEX II 2D Ex iaD 21 T85°C
- Base plate available
- Load cell cable length 10, 20, 50 or 100meters

Order information



Digital Compression Load Cell – Type DL

Dimensions (mm)



Parameter	Unit	0.10%	0.05%	0.025%
Rated capacity (Emax)	kg	50, 100, 150, 250, 500, 1.000 1.500, 2.000, 3.000, 4.000, 5.000		
Safe overload limit	% of Emax	300 to 1.000		
Safe sideload limit	% of Emax	500 to 2.000		
Minimum dead load	% of Emax	0		
Accuracy	% of Emax	0.060	0.040	0.020
Repeatability	% of Emax	0.020	0.010	0.008
Hysteresis	% of Emax	0.060	0.040	0.020
Creep 30min.	% of Emax	0.060	0.040	0.020
Temperature effect on zero	% /10 °C	0.050	0.030	0.009
Temperature effect on sensitivity	% /10 °C	0.050	0.030	0.009
Compensated temperature range	°C	-10 to 50		
Operating temperature range	°C	-50 to 70 (100*)		
Deflection at Emax	mm	Max 0.10		
Measuring rate	Hz	Up to 1.000		
Supply	Vdc	24Vdc ±10%		
Internal resolution	Bit	24		
Material		Stainless Steel 17-4 PH and AISI 316		
Protection		IP68		
Cable		6meter standard coaxial RG-58 (Ø6mm) with BNC connector		
Maximum cable length	m	100		
Weight	kg	1.7		
Output options		Profibus DP, DeviceNet, Modbus ASCII/RTU, EtherCAT EtherNet/IP, RS485, 4-20mA, 0-10Vdc		

* with Teflon cable