

Digital Tension Load Cell – Type SOTD



Special Features

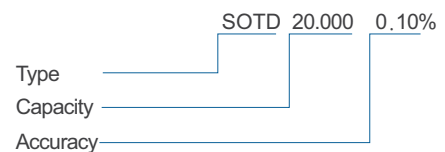
- Robust capacitive technology
- Patented high reliability capacitive sensor
- High tolerance of up to 1.000% overload
- Stainless steel
- Sealed to IP67
- Withstands welding voltages and ESD
- Cable length up to 100meters
- Load cell cable replaceable
- Pre-calibrated with signal in kg or N
- Calibration independent of cable length
- Easy mechanical and electrical installation



Applications

- Suspended vessels
- Cranes
- Lifts
- Offshore/Marine applications
- Tension and force measurement
- Heavy duty applications

Order information

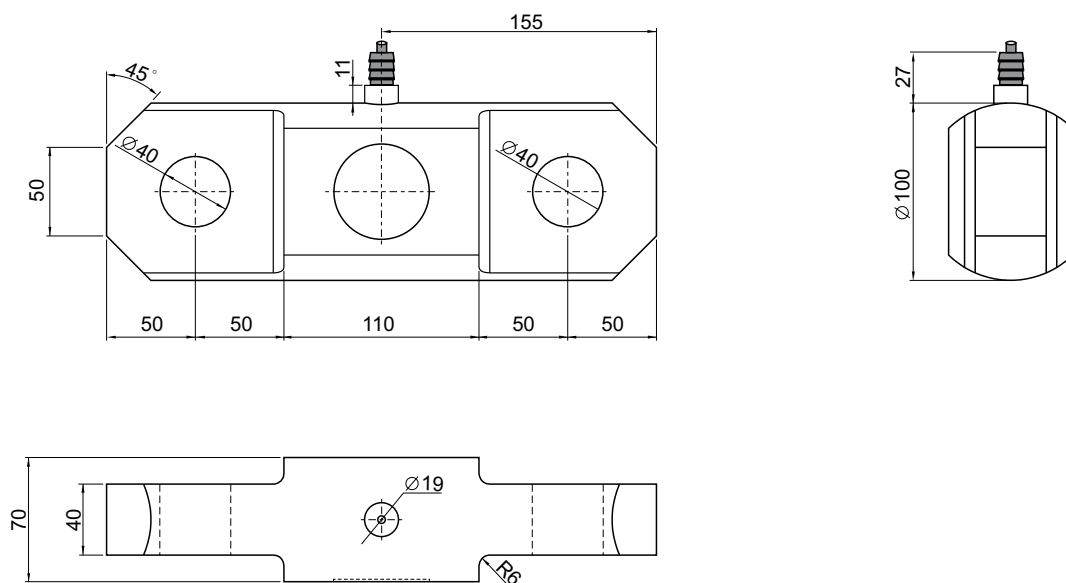


Options

- Load cell cable length 10, 20, 50 or 100meters
- Customized versions available

Digital Tension Load Cell – Type SOTD

Dimensions (mm)



Parameter	Unit	0.10%
Rated capacity (E _{max})	kg	2.000, 5.000, 10.000, 20.000*
Safe overload limit	% of E _{max}	up to 1.000
Safe sideload limit	% of E _{max}	up to 500
Minimum dead load	% of E _{max}	0
Accuracy	% of E _{max}	0.10
Repeatability	% of E _{max}	0.02
Hysteresis	% of E _{max}	0.05
Creep 30 min.	% of E _{max}	0.03
Compensated temperature range	°C	-10 to 50
Operating temperature range	°C	-50 to 70 (100**)
Deflection at E _{max}	mm	Max 0.20
Measuring rate	Hz	200
Supply	Vdc	24Vdc ±10%
Internal resolution	Bit	24
Material		Stainless Steel 17-4 PH and AISI 316
Protection		IP67
Cable		6meter standard coaxial RG-58 (Ø6mm) with BNC connector
Maximum cable length	m	100
Weight	kg	10
Output options		Profibus DP, DeviceNet, Modbus ASCII/RTU, EtherCAT EtherNet/IP, RS232, RS485/422, 4-20mA, 0-10Vdc

* higher capacity available on request

** with Teflon cable



LENOX Automação e Tecnologia
Tel.: (11) 3803-8393
vendas@lenox.ind.br
www.lenox.ind.br