

## Digital Beam Load Cell – Type SDM80



0-7.000kg

### Special Features

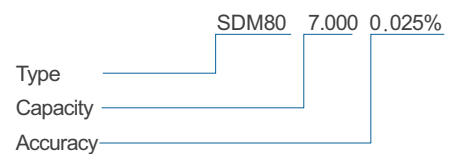
- Stainless steel
- Robust capacitive technology
- Patented high reliability capacitive sensor
- OIML R60 accuracy classes up to C5
- High tolerance of up to 1.000% overload
- Hermetically sealed to IP68
- Laser welded
- High accuracy, High resolution
- Digital filters
- Cable length up to 100meters
- Calibration independent of cable length
- Load cell cable replaceable
- Easy mechanical and electrical installation
- Withstands welding voltages and ESD



### Applications

- Dynamic weighing
- Process weighing
- Mobile weighing
- Vibration feeders
- Big-bag equipment
- Hopper scales
- Conveyor scales
- Heavy duty platform scales
- Heavy duty applications
- Offshore applications

### Order information

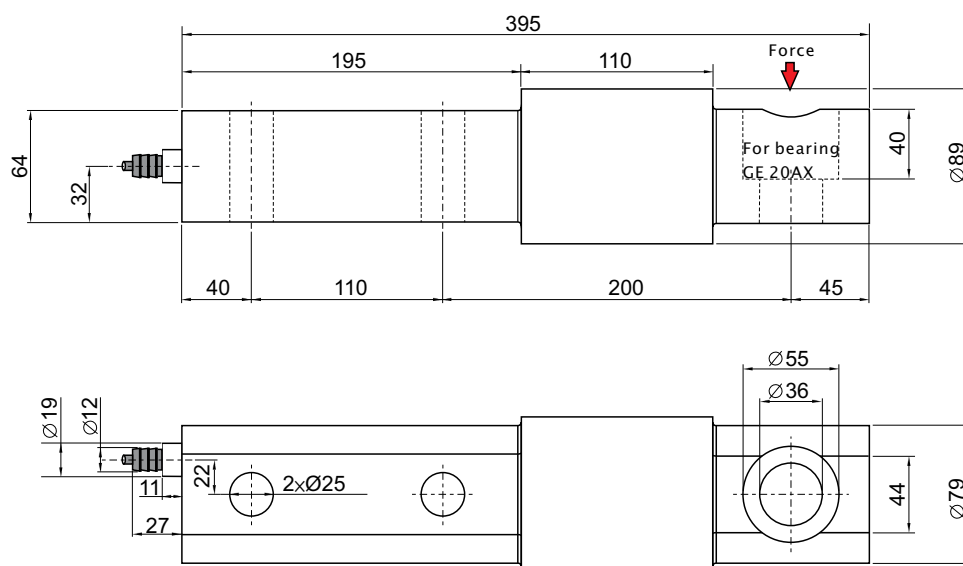


### Options

- Mounting kits available
- Customized versions available
- Load cell cable length 10, 20, 50 or 100meters

## Digital Beam Load Cell – Type SDM80

### Dimensions (mm)



| Parameter                          | Unit                  | 0.10% C1   | 0.05% C2 | 0.025% C3** |
|------------------------------------|-----------------------|--|----------|-------------|
| Rated capacity (E <sub>max</sub> ) | kg                    | 5.000, 6.000, 7.000  |          |             |
| Safe overload limit                | % of E <sub>max</sub> | 300 to 1.000   |          |             |
| Safe sideload limit                | % of E <sub>max</sub> | 500 to 1.000   |          |             |
| Minimum dead load                  | % of E <sub>max</sub> | 0  |          |             |
| Accuracy                           | % of E <sub>max</sub> | 0.100  | 0.050    | 0.025       |
| Max. number of load cell intervals | N <sub>max</sub>      | 1.000  | 2.000    | 3.000       |
| Repeatability                      | % of E <sub>max</sub> | 0.025  | 0.020    | 0.010       |
| Hysteresis                         | % of E <sub>max</sub> | 0.033  | 0.020    | 0.016       |
| Creep 30 min.                      | % of E <sub>max</sub> | 0.040  | 0.025    | 0.016       |
| Temperature effect on zero         | % /10°C               | 0.045  | 0.030    | 0.016       |
| Temperature effect on sensitivity  | % /10°C               | 0.045  | 0.030    | 0.016       |
| Compensated temperature range      | °C                    | -10 to 50  |          |             |
| Operating temperature range        | °C                    | -50 to 80 (100*)   |          |             |
| Deflection at E <sub>max</sub>     | mm                    | Max 0.10   |          |             |
| Measuring rate                     | Hz                    | 200  |          |             |
| Supply                             | Vdc                   | 24Vdc ±10%   |          |             |
| Internal resolution                | Bit                   | 24   |          |             |
| Material                           |                       | Stainless Steel 17-4 PH and AISI 316   |          |             |
| Protection                         |                       | IP68   |          |             |
| Cable                              |                       | 6meter standard coaxial RG-58 (Ø6mm) with BNC connector  |          |             |
| Maximum cable length               | m                     | 100  |          |             |
| Weight                             | kg                    | 10.5   |          |             |
| Output options                     |                       | Profibus DP, DeviceNet, Modbus ASCII/RTU, EtherCAT<br>EtherNet/IP, RS232, RS485/422, 4-20mA, 0-10Vdc |          |             |

\* with Teflon cable

\*\* higher accuracies available on request



**LENOX Automação e Tecnologia**  
Tel.: (11) 3803-8393  
vendas@lenox.ind.br  
www.lenox.ind.br