

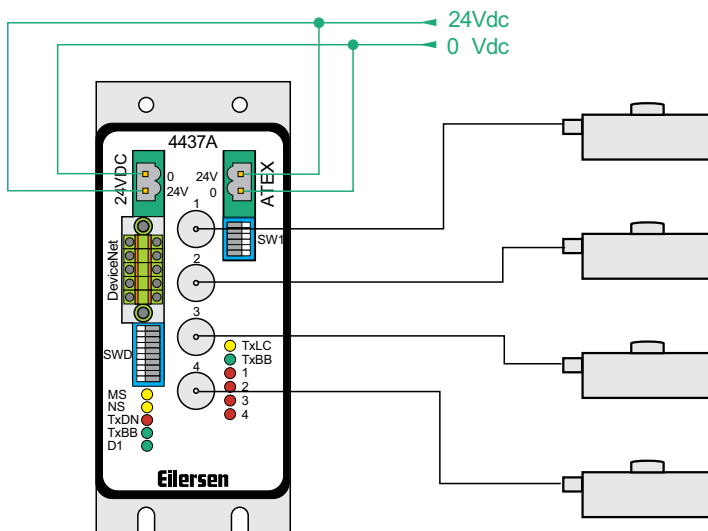
DeviceNet Module - Type 4X37A



DeviceNet Module

Special Features

- DeviceNet output
- Weighing module for up to 4 digital load cells
- For ATEX and non-ATEX applications
- Plug-and-play installation with Eilersen digital load cells
- Advanced digital filters (configurable)
- A "Digital Junction Box" that can be mounted near the load cells or in a central panel
- Small Form Factor
- Setup via dip switches
- For ATEX when supplied by power supply type 4051A
- The power supply 4051A and module type 4X37A must be installed outside the hazardous zone
- Application software can be made by request



DeviceNet



Inputs

- Up to 4 coaxial connectors for digital load cells
- Power supply 24Vdc, 1A for DeviceNet
- Non-ATEX applications: 24Vdc, 1A
- ATEX applications: Safe power supply 24Vdc, 0.2A from ATEX power supply type 4051A

Module output

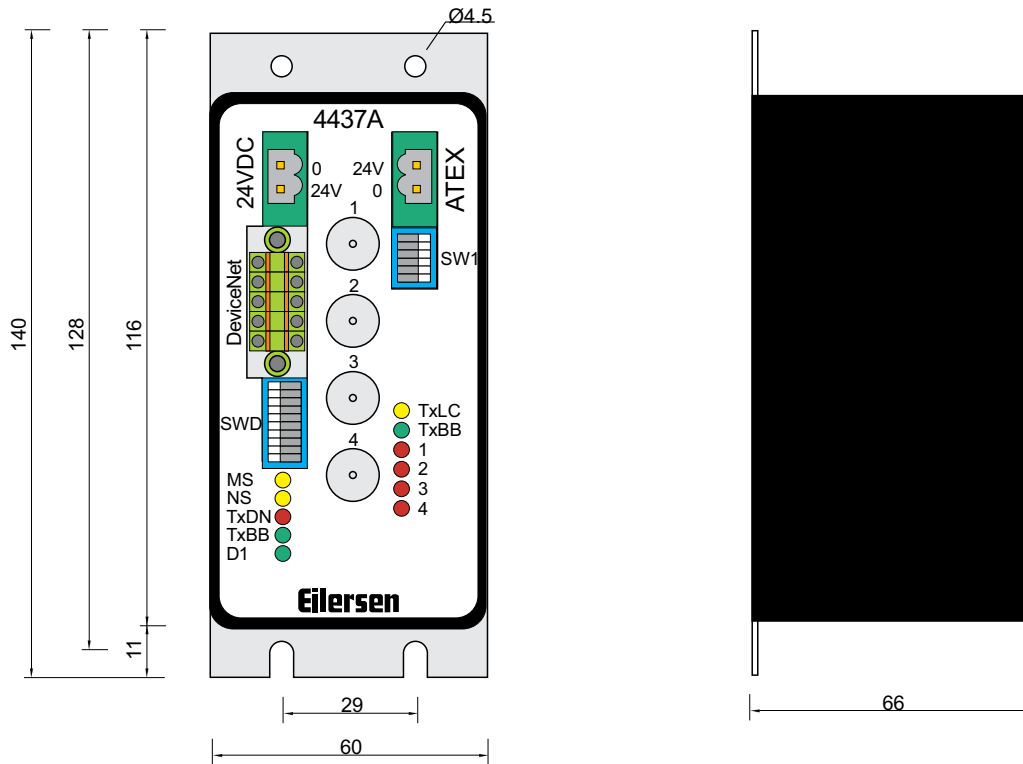
- DeviceNet

Order information

No of load cells	Type
1	4137A
2	4237A
3	4337A
4	4437A

DeviceNet Module - Type 4X37A

Dimensions (mm)



4000 Generation Modules

Parameter	Unit	Data
Application		4000 generation load cells and modules
DeviceNet Power Supply	Vdc	24Vdc +/- 10%, 1A
ATEX: Safe Power Supply		ATEX certified power supply type 4051A
Non-ATEX: Standard Power Supply	Vdc	24Vdc +/- 10%, 1A
Operating Temperature Range	°C	-20 to +50
Weight	g	500
Housing		Anodized Aluminum
Mounting		Mounting base or DIN rail

Standard Software Versions**

Version	Description	No. of Load cells	Measuring time	System weight calculation, Zeroing & Calibration
Conctr	Transmits individual weight and status of up to 8 load cells every 20 to 2.000msec. A no. of FIR filters can be activated.	1 ~ 8	20~2.000msec.	Performed in PLC (factors stored in PLC)
Weight	Transmits total load and system status for up to 8 load cells every 200 msec.	1 ~ 8	200msec.	Performed in module* (factors stored in module)

* On request from PLC

**Application software can be made by request



LENOX Automação e Tecnologia
Tel.: (11) 3803-8393
vendas@lenox.ind.br
www.lenox.ind.br