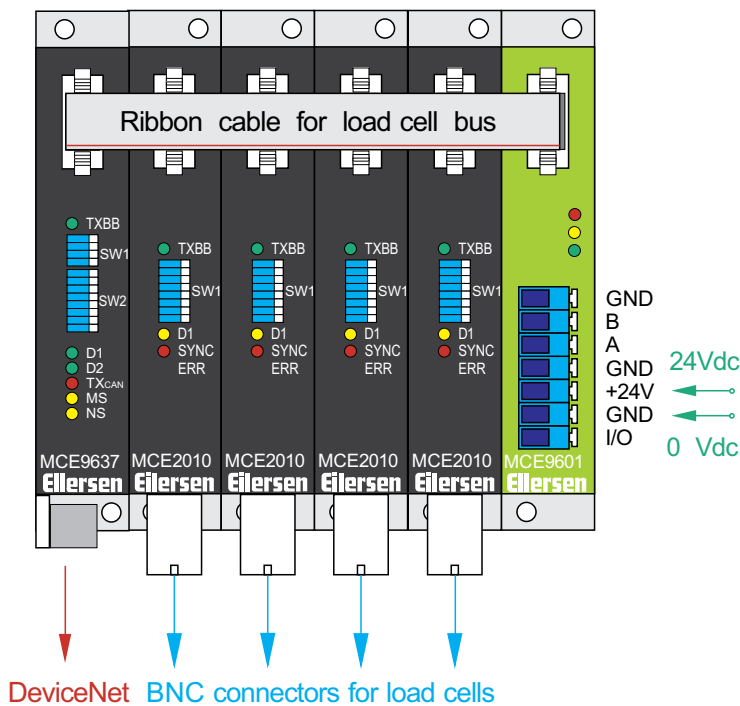


DeviceNet Output Module - Type MCE9637



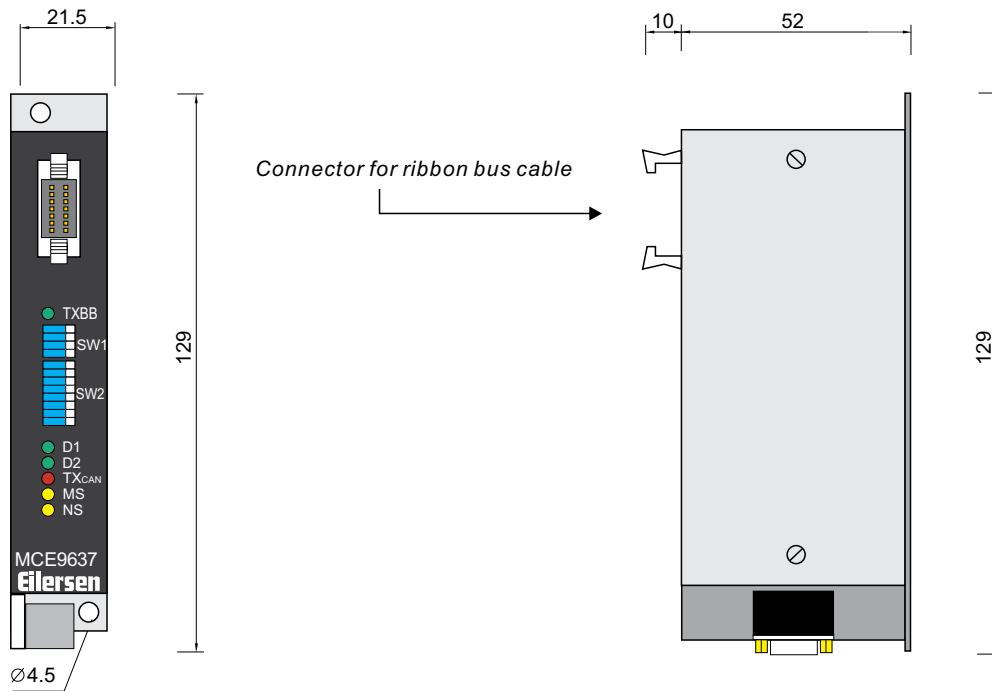
Special Features

DeviceNet communication module for interfacing Eilersen digital load cells to a DeviceNet Master device (PLC). The module can be used for up to 8 digital load cells and transmits the weight and status for each individual load cell. The module offers plug-and-play installation with Eilersen pre-calibrated digital load cells and the module is supplied with an EDS file for easy installation. Application software can be made by request.



DeviceNet Output Module - Type MCE9637

Dimensions (mm)



Parameter	Unit	Data
Application		2000 generation load cells and modules
Power	Vdc	24Vdc +/- 20%
Temperature range	°C	-30 to +60
Humidity	%RH	90%RH
Communication Protocol		DeviceNet
Slave address		DeviceNet slave address is set using DIP-switches (0-63)
Baudrates [kbit/s]		125, 250 or 500
Connection		5-pin open connector to DeviceNet (standard DeviceNet connect.) Ribbon cable to MCE2010 load cell interface modules and MCE9601 for power connection

Standard Software Versions**

Version	Description	No. of Load cells	Measuring time	System weight calculation, Zeroing & Calibration
Conctr	Transmits individual weight and status of up to 8 load cells every 20 to 2.000msec. A no. of FIR filters can be activated.	1 ~ 8	20~2.000msec.	Performed in PLC (factors stored in PLC)
Weight	Transmits total load and system status for up to 8 load cells every 200 msec.	1 ~ 8	200msec.	Performed in module* (factors stored in module)

* On request from PLC

**Application software can be made by request



LENOX Automação e Tecnologia
Tel.: (11) 3803-8393
vendas@lenox.ind.br
www.lenox.ind.br