

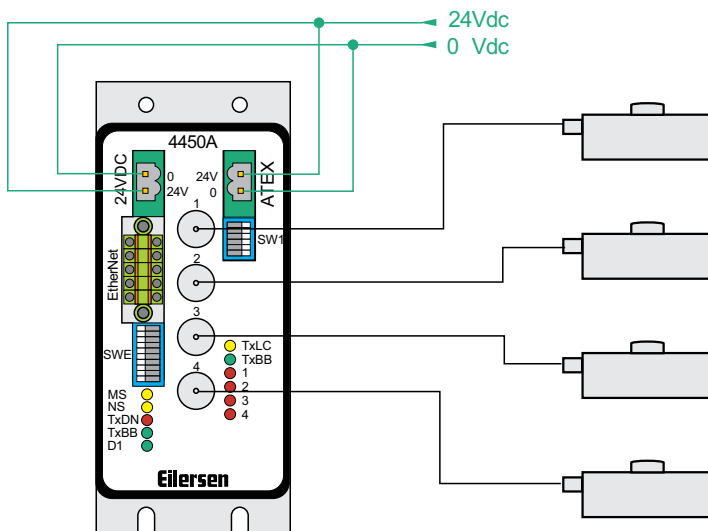
EtherNet/IP Module - Type 4X50A



EtherNet/IP Module

Special Features

- EtherNet/IP output
- Weighing module for up to 4 digital load cells
- For ATEX and non-ATEX applications
- Plug-and-play installation with Eilersen digital load cells
- Advanced digital filters (configurable)
- A "Digital Junction Box" that can be mounted near the load cells or in a central panel
- Small Form Factor
- Setup via dip switches
- For ATEX when supplied by power supply type 4051A
- The power supply 4051A and module type 4X50A must be installed outside the hazardous zone
- Application software can be made by request



EtherNet/IP



Inputs

- Up to 4 coaxial connectors for digital load cells
- Power supply 24Vdc, 1A for EtherNet/IP
- Non-ATEX applications: 24Vdc, 1A
- ATEX applications: Safe power supply 24Vdc, 0.2A from ATEX power supply type 4051A

Module output

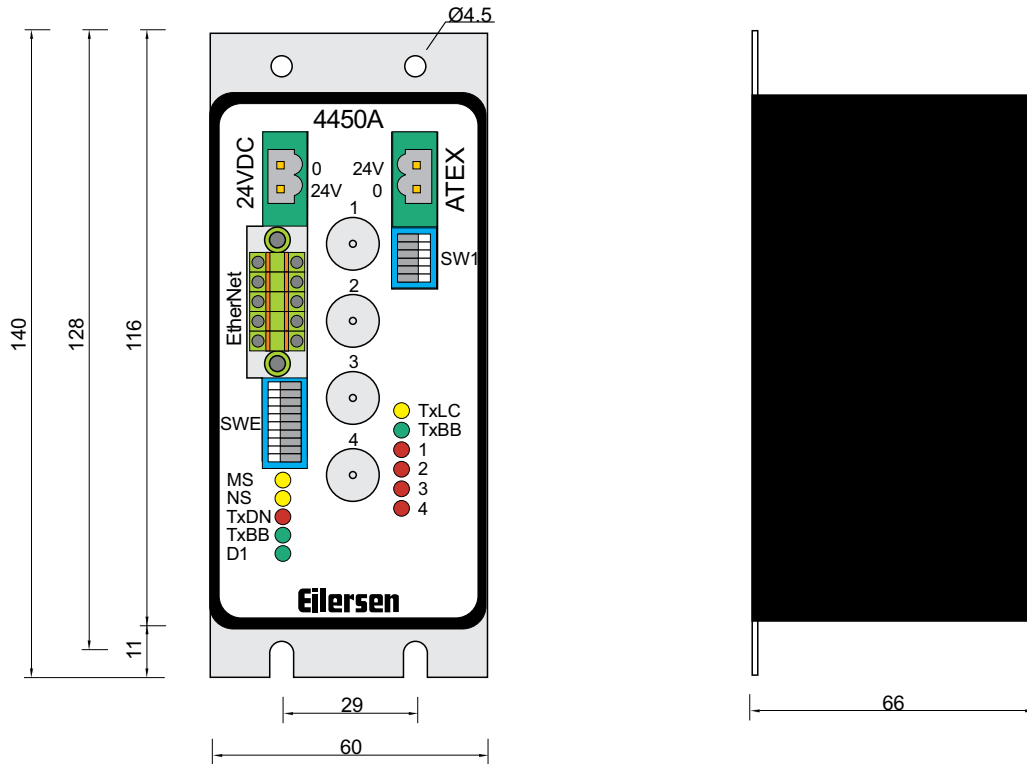
- EtherNet/IP

Order information

No of load cells	Type
1	4150A
2	4250A
3	4350A
4	4450A

EtherNet/IP Module - Type 4X50A

Dimensions (mm)



4000 Generation Modules

Parameter	Unit	Data
Application		4000 generation load cells and modules
EtherNet/IP Power Supply	Vdc	24Vdc +/- 10%, 1A
ATEX: Safe Power Supply		ATEX certified power supply type 4051A
Non-ATEX: Standard Power Supply	Vdc	24Vdc +/- 10%, 1A
Operating Temperature Range	°C	-20 to +50
Weight	g	500
Housing		Anodized Aluminum
Mounting		Mounting base or DIN rail



LENOX Automação e Tecnologia
Tel.: (11) 3803-8393
vendas@lenox.ind.br
www.lenox.ind.br