

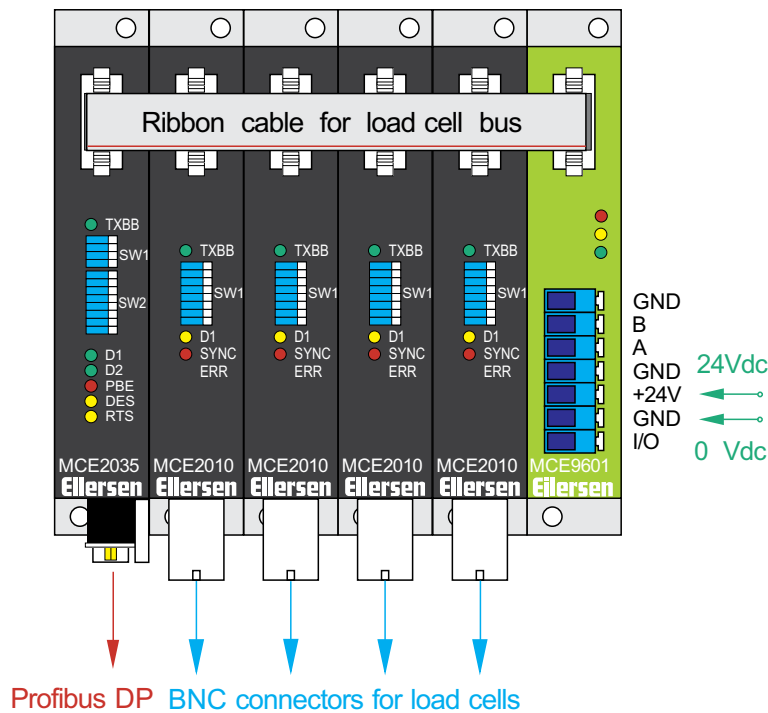
Profibus DP Output Module - Type MCE2035



Profibus DP Output Module

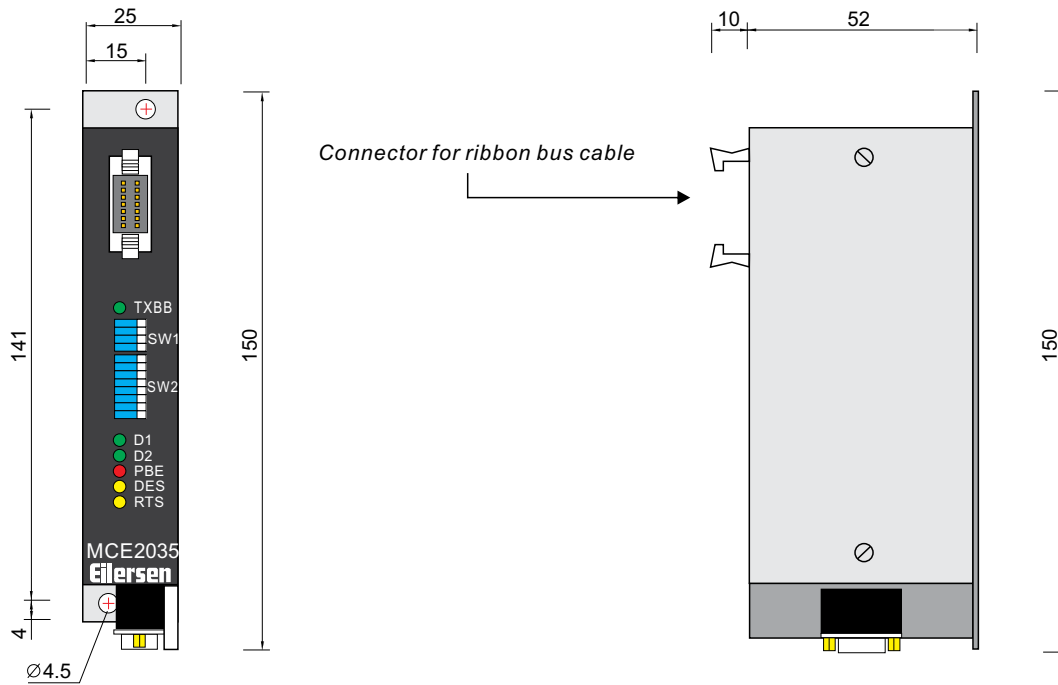
Special Features

Profibus DP communication module for interfacing Eilersen digital load cells to a Profibus DP Master device (PLC). The module can be used for up to 8 digital load cells and transmits the weight and status for each individual load cell. The module offers plug-and-play installation with Eilersen pre-calibrated digital load cells and the module is supplied with a GSD file for easy installation. Application software can be made by request.



Profibus DP Output Module - Type MCE2035

Dimensions (mm)



2000 Generation Modules

Parameter	Unit	Data
Application		2000 generation load cells and modules
Power	Vdc	24Vdc +/- 20%
Temperature range	°C	-30 to +60
Humidity	%RH	90%RH
Communication Protocol		Profibus DP
Slave address		Profibus DP slave address is set using DIP-switches (0-127)
Baudrates [kbit/s]		9.6, 19.2, 93.75, 187.5, 500, 1500, 3M, 6M, 12M
Address range		0-127(Sw2.2-Sw2.8)
Connection		9-pin sub-D female connector to Profibus DP Ribbon cable to MCE2010 load cell interface modules and MCE9601 for power connection

Standard Software Versions**

Version	Description	No. of Load cells	Measuring time	System weight calculation, Zeroing & Calibration
Conctr	Transmits individual weight and status of up to 8 load cells every 20 to 2.000msec. A no. of FIR filters can be activated.	1 ~ 8	20~2.000msec.	Performed in PLC (factors stored in PLC)
Weight	Transmits total load and system status for up to 8 load cells every 200msec.	1 ~ 8	200msec.	Performed in module* (factors stored in module)

* On request from PLC

**Application software can be made by request



LENOX Automação e Tecnologia
Tel.: (11) 3803-8393
vendas@lenox.ind.br
www.lenox.ind.br