

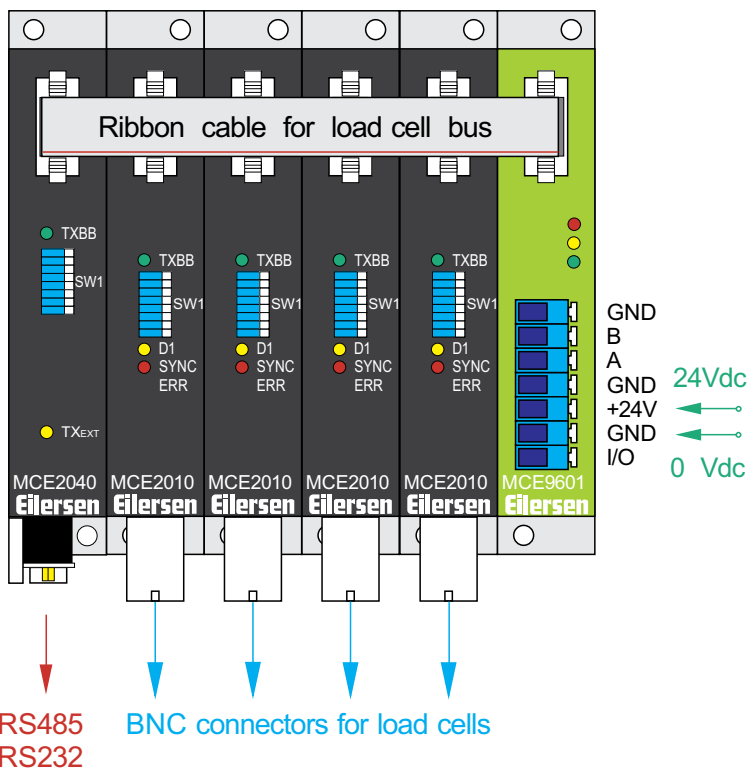
RS232, RS485 Serial Output Module - Type MCE2040



RS232, RS485/422 Module

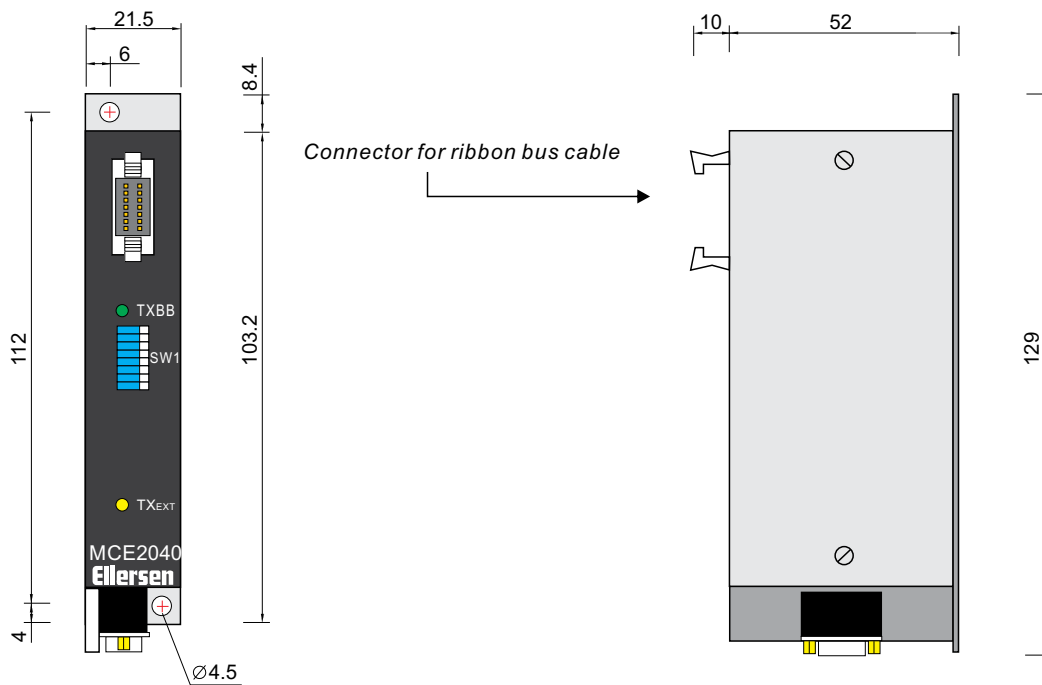
Special Features

Serial RS232/RS485/RS422 communication module for interfacing Eilersen digital load cells to PCs, PLCs and other equipment. The module can be used for up to 8 digital load cells and transmits the weight and status for each individual load cell. The module offers plug-and-play installation with Eilersen pre-calibrated digital load cells. Application software can be made by request.



RS232, RS485/422 Serial Module - Type MCE2040

Dimensions (mm)



Parameter	Unit	Data
Application		2000 generation load cells and modules
Serial channels		One RS232 channel or one RS485/RS422 channel
Baud rates	kbit/s	1.2kbit/s ~ 460kbit/s
Connection		9-pin sub D connector (female) for connection of serial channels Eilersen load cell bus ribbon cable from MCE2010 load cell interface modules and MCE9601 module for power connection
LED-functions		TXBB: Communication with load cells/weighing equipment D1: Function depends on firmware
DIP-switch functions		Sw1 functions depend on firmware
Temperature range		-30 C to +60
Jumper functions		Jumper functions depend on firmware



LENOX Automação e Tecnologia
Tel.: (11) 3803-8393
vendas@lenox.ind.br
www.lenox.ind.br