

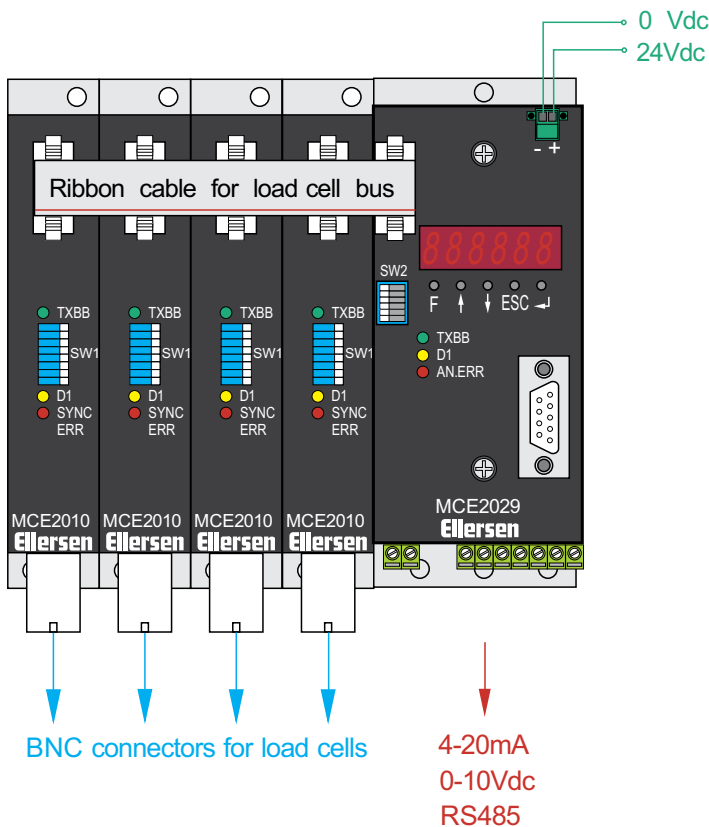
# Analog Output Module - Type MCE2029



4-20mA/0-10V module

### Special Features

- Analog 4-20mA or 0-10Vdc output
- Digital RS485 serial communication
- Six character LED display
- 2 digital inputs + 2 digital outputs
- Can be used for up to 8 digital load cells
- Shows the weight on each of the load cells
- Shows the summed weight for all the load cells
- Configurable measuring time (40 ms -> 4 seconds)
- 3 different FIR filters selectable by dip switches
- Plug-and-play installation with pre-calibrated digital load cells
- Input for zero and tare
- Setup via keys and dip switches
- Application software can be made by request



### Inputs

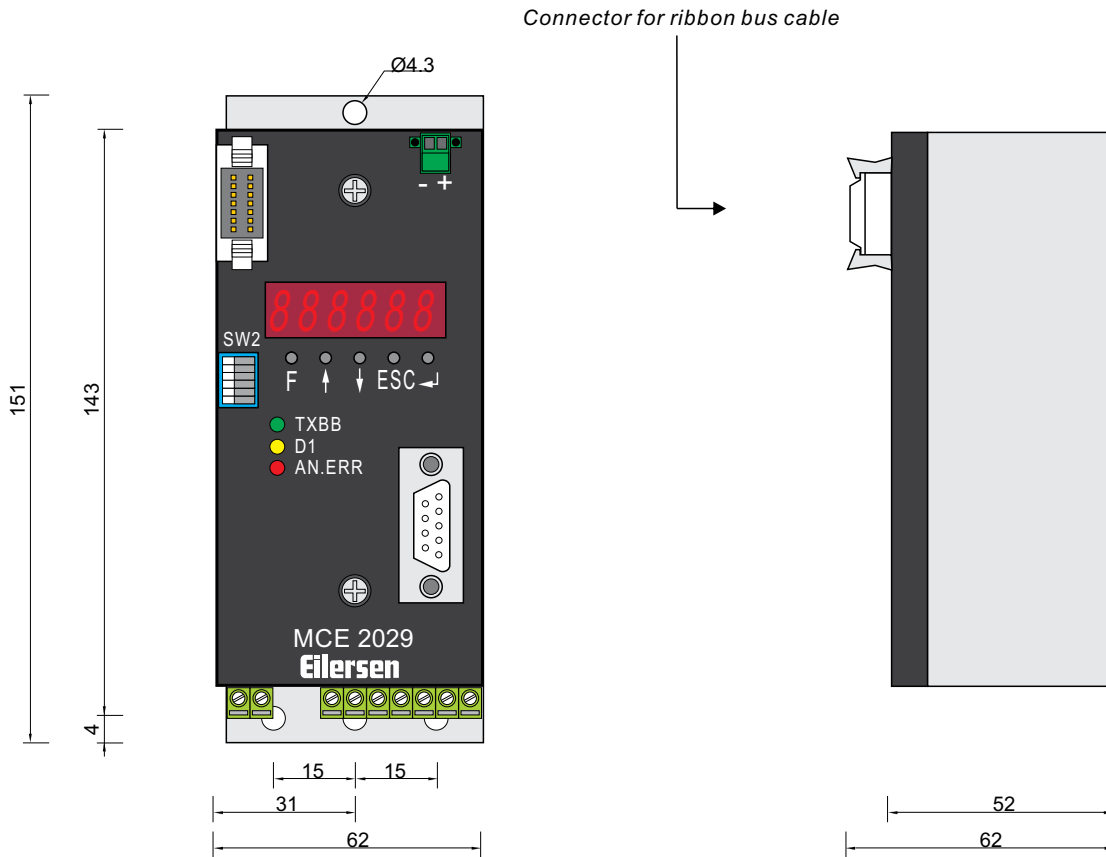
- Up to 8 Eilersen digital load cells
- Power supply 24 Vdc, 2A
- 2 digital inputs

### Outputs

- Analog 4-20mA or 0-10Vdc output
- 2 digital outputs
- RS485 serial output

## Analog Output Module - Type MCE2029

Dimensions (mm)



Parameter	Unit	Data
Input		2000 generation load cells and modules
Power Supply	Vdc	24 Vdc +/- 10%, 2A
Operating Temperature Range	°C	-20 to +50
Humidity	%RH	90%RH
Output		4-20mA or 0-10Vdc



**LENOX Automação e Tecnologia**  
Tel.: (11) 3803-8393  
vendas@lenox.ind.br  
www.lenox.ind.br