

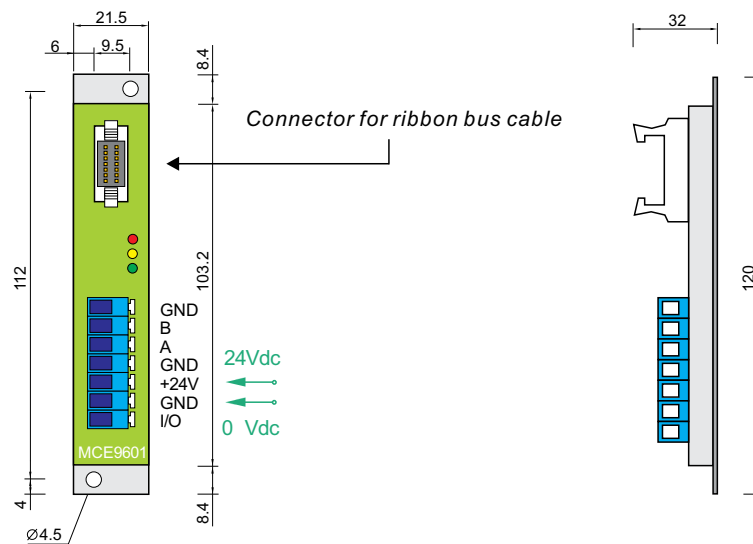
Terminal Module - Type MCE9601



Function

Connection between Eilersen digital load cell bus at one side and 24Vdc Power Supply and Eilersen digital weighing terminals on the other side.

Dimensions (mm)



Parameter	Unit	Data
Application		2000 generation load cells and modules
Maximum number of load cells		16
Power Supply		24Vdc +/- 20%, 2A
Temperature Range	°C	-10 to +60