

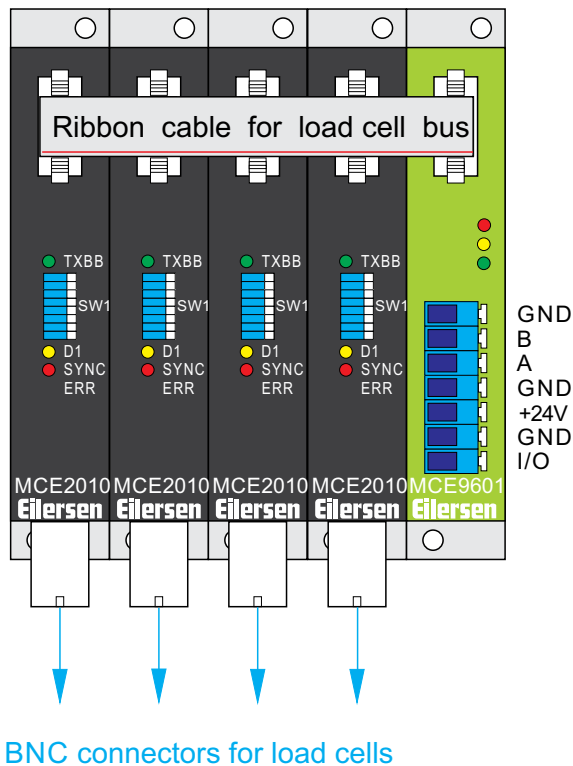
Load Cell Module - Type MCE2010



Load Cell Module

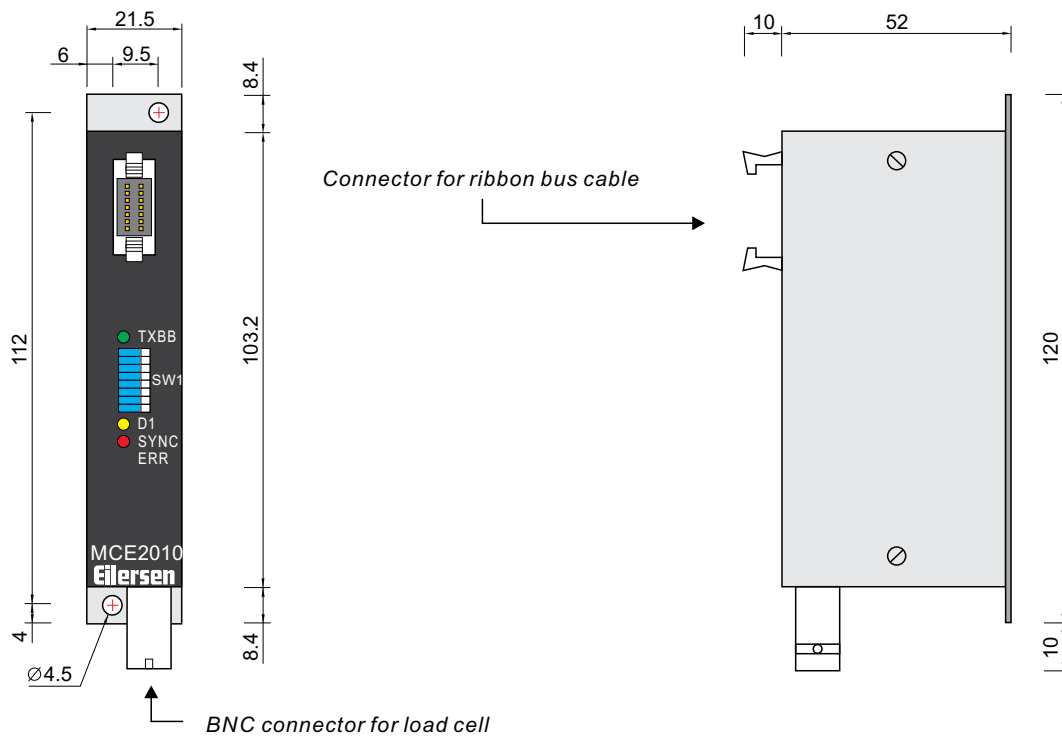
Special Features

The Digital Load Cell Module MCE2010 interfaces the digital load cells to the Eilersen instrumentation, communication modules and other equipment with fast RS485 communication ports through the Eilersen load cell bus. The Eilersen proprietary RS485 protocol is available for OEM use. The connection between the digital load cell and the load cell module is a standard BNC connector. The load cell module is powered through the digital load cell bus ribbon cable which is terminated in the MCE9601 terminal module. Up to 16 load cells modules or other modules can be connected to the Eilersen digital RS485 load cell bus.



Load Cell Module - Type MCE2010

Dimensions (mm)



Parameter	Unit	Data
Application		2000 generation load cells and modules
Max no. of load cells		16
Power	Vdc	24VDC +/- 20%
Temperature range	°C	-30 to +60
Humidity		90%RH
Dimensions	mm	130x62x21.5



LENOX Automação e Tecnologia
Tel.: (11) 3803-8393
vendas@lenox.ind.br
www.lenox.ind.br