

# WK SERIES

## 2-wire TRANSMITTER



**Monitors or signal converters are unnecessary.  
Electric current output makes long wiring possible.  
Direct connection to control instruments.  
The ideal system for monitoring small compressor vibrations.**



LENOX Automação e Tecnologia Ltda  
Tel.: 55-11-3803-8393  
vendas@lenox.ind.br  
www.lenox.ind.br

Contact to

Published in Mar. 2009

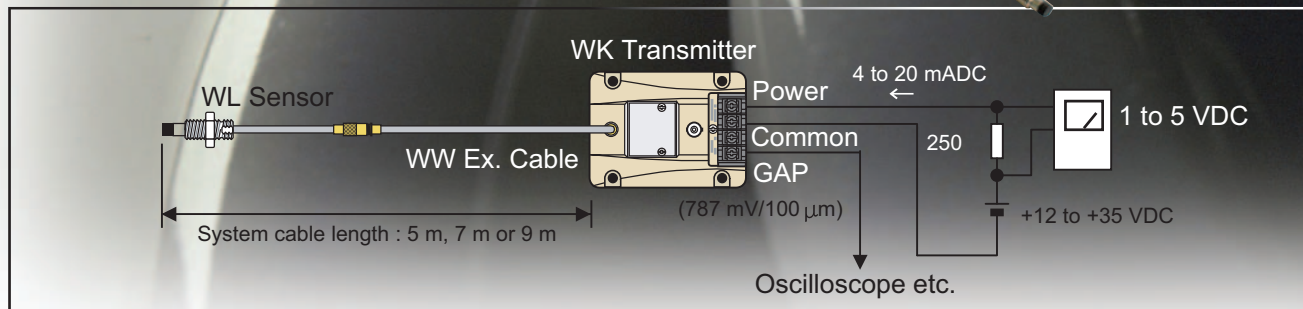
# SIMPLE WIRING - 2-WIRE TRANSMITTER

The WK series transmitter is an eddy-current type transmitter that incorporates vibration converter features, supplying the power and transmitting the signal with a 2-wire current loop. The WK system reduces equipment and wiring costs. Two kinds of transmitters are available - the WK-142K for shaft vibration, and the WK-142T for thrust position.

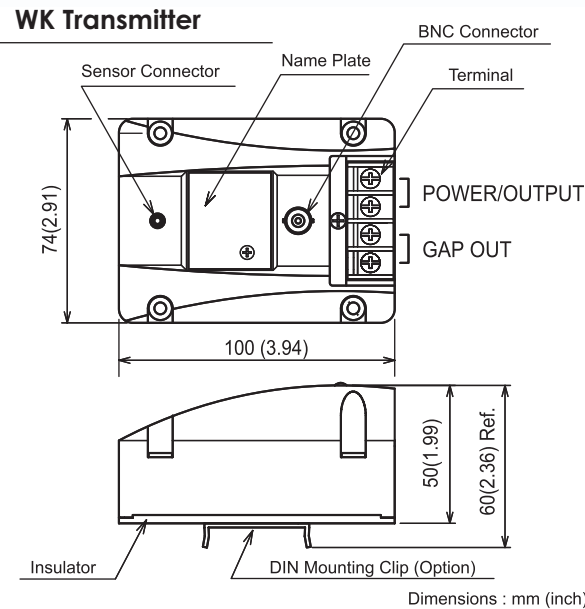


**Monitors or vibration converters are unnecessary.**  
**Electric current output makes long wiring possible.**  
**Direct connection to control instruments.**  
**The ideal system for monitoring small compressor vibrations.**

## Example of SYSTEM CONFIGURATION



## Outline Drawing



## Model Code

For Shaft Vibration

WK-142K □ - □ /NB1 /DNC /CEM

System Cable Length	Output Range	Non-incendive	With DIN Mounting Clips	CE Marking
1 5 m	1 0 to 100 μm pk-pk	1 CSA : Class I Div.2 Gr. A,B,C,D ATEX : EEx nA II T6		
2 7 m	2 0 to 125 μm pk-pk			
5 9 m	3 0 to 200 μm pk-pk			
	4 0 to 250 μm pk-pk			
	5 0 to 400 μm pk-pk			

## Specifications

	WK-142K	WK-142T
<b>Current Output</b>	4 to 20mA Output Range 0 to 100 μm pk-pk, 0 to 125 μm pk-pk, 0 to 200 μm pk-pk, 0 to 250 μm pk-pk, 0 to 400 μm pk-pk	-0.6 to 0 to +0.6 mm, -0.635 to 0 to +0.635 mm
<b>4 to 20mA Output Conversion Accuracy</b>	± 1.5% of full scale range (from test signal input pin to current output)	± 1.0% of full scale range (from test signal input pin to current output)
<b>Max. Load Resistance</b>	43.5 × (Vps-12) (Vps=Power supply voltage)	
<b>Calibration Material</b>	JIS SCM440 flat (AISI 4140 equivalent)	
<b>Gap Output</b>	<b>Linear Range*</b>	
	1.4 mm (Gap : 0.3 to 1.7 mm)	
	<b>Scale Factor*</b>	
	7.87 mV/μm	
	<b>Scale Factor Error*</b>	
	5 m, 7 m system : 7.87 mV/μm ± 6.5% typ. (including interchangeability errors) 9m system : 7.87mV/μm ± 10% typ. (including interchangeability errors) Step : 200 μm, Target : 30 mm dia.	
	<b>Output Impedance*</b>	
	10 k (it is calibrated load impedance at 10 M )	
<b>System</b>	<b>Frequency Response*</b>	
	5 Hz to 6,000 Hz (+ 0 dB, - 3 dB) at 900 μm Gap	
	<b>Operating Temperature Range</b>	
	Transmitter : 0 to 70 Sensor & Extension cable : - 34 to + 177 (Connector : Max.125 )	
	<b>Relative Humidity</b>	
	95% RH (non-condensing)	
	<b>Power Supply Voltage</b>	
	12 to 35 VDC	
	<b>System Cable Length</b>	
	5 m, 7 m or 9 m	5 m, 7 m

\* The above specifications apply at 25 with 24 VDC power supply and SCM440 (AISI 4140 equivalent) steel flat target.

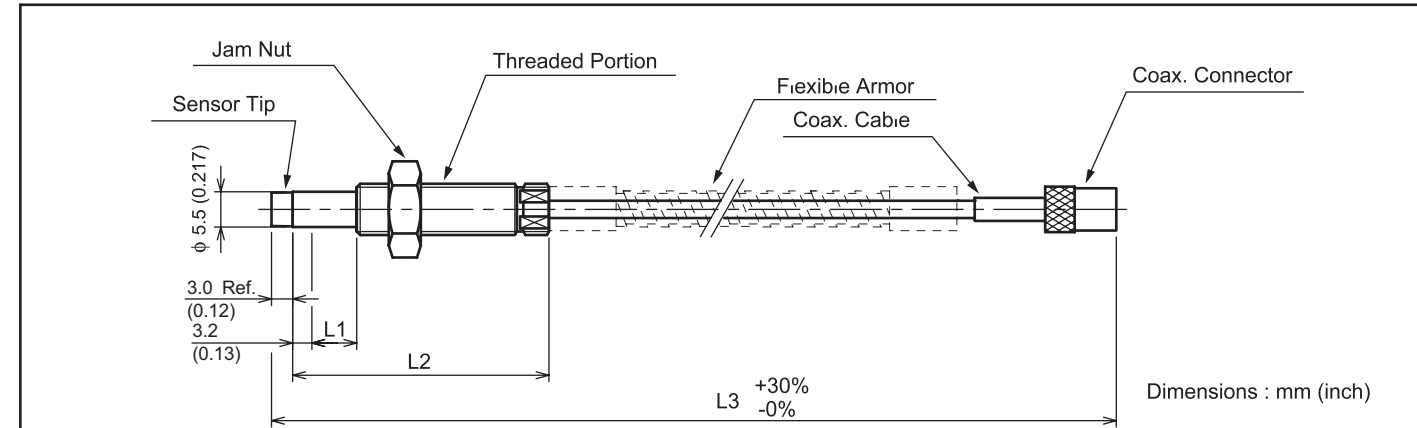
For Thrust Position

WK-142T □ - □ /NB1 /DNC /CEM

System Cable Length	Output Range	Non-incendive	With DIN Mounting Clips	CE Marking
1 5m	1 -0.6 to 0 to +0.6 mm	1 CSA : Class I Div.2 Gr. A,B,C,D ATEX : EEx nA II T6		
2 7m	2 -0.635 to 0 to +0.635 mm (-25 to 0 to +25 mils)			

## Outline Drawing and Model Code

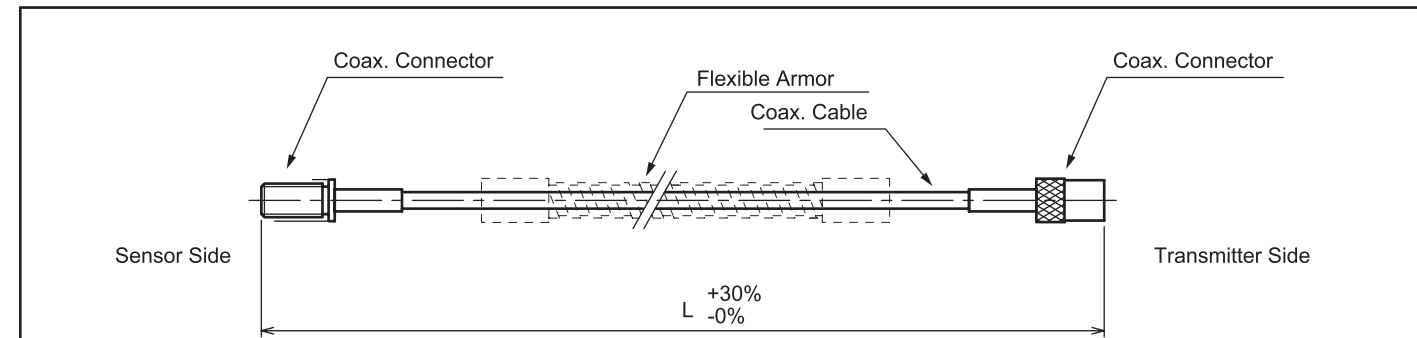
WL Sensor



WL-142K05 □ - □ /NB1

Armor	Threaded Size	Unthreaded length* (L1)	Case length* (L2)	Cable length (L3)	Non-incendive
A With (Without Fluoro resin coating)	M1 M8 x 1	10 mm step, 0 to 230 mm e.g.) 06 = 60 mm	10 mm step, 20 to 250mm e.g.) 25 = 250 mm	1 0.5 m	1 CSA : Class I Div.2 Gr. A,B,C,D ATEX : EEx nA II T6
T With (With Fluoro resin coating)	M2 M10 x 1	L1 L2 - 20 mm		2 4.5 m	
L Without	U1 1/4-28 UNF-2A	0.1 inch step, 0 to 9.2 inch e.g.) 04 = 0.4 inch	0.1 inch step, 0.8 to 9.9 inch e.g.) 35 = 3.5 inch	3 5.0 m	
	U2 3/8-24 UNF-2A	L1 L2 - 0.7 inch		4 7.0 m	

WW Extension Cable



WW-142K □ - □ /NB1

Armor	Extension Cable length	Non-incendive
A With (Without Fluoro resin coating)	1 4.0 m	1 CSA : Class I Div.2 Gr. A,B,C,D ATEX : EEx nA II T6
T With (With Fluoro resin coating)	2 4.5 m	
L Without	3 6.0 m	
	4 6.5 m	
	5 8.0 m	
	6 8.5 m	